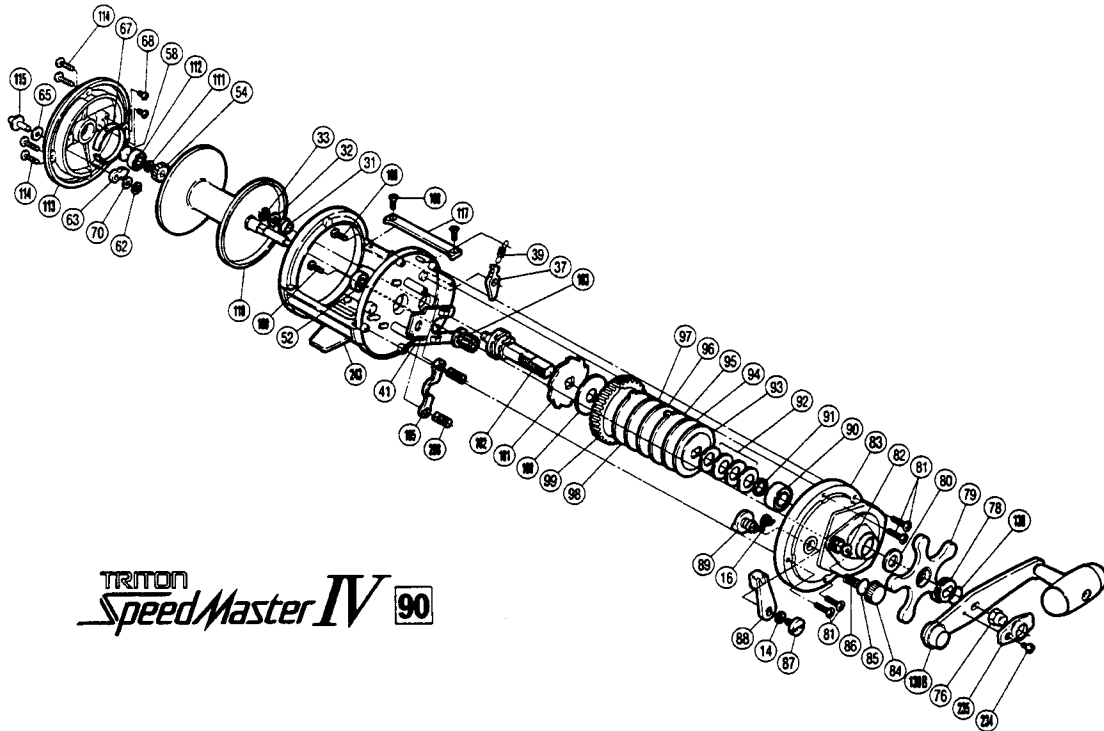


EXPLODED PARTS VIEW

SHIMANO®

1991 REPAIR MANUAL

Shimano American Corporation, One Shimano Dr.
Irvine, CA 92718



TO ORDER: USE TGT PREFIX
WITH PART NUMBER

PARTS LIST

TGT #	DESCRIPTION	TGT #	DESCRIPTION	TGT #	DESCRIPTION
0014	Lock Washer	0080	Star Drag Washer	0100	Drive Shaft Washer
0016	Clutch Spring	0081	Right Side Plate Screw (A)	0101	Anti-Reverse Ratchet
0031	Drive Shaft Bushing	0082	Spool Shaft Bushing	0102	Drive Shaft
0032	Spacer	0083	Right Side Plate	0103	Pinion Gear
0033	Drive Shaft Retainer	0084	Cast Control Cap	0105	Yoke
0037	Anti-Reverse Pawl	0085	Spacer	0108	Line Guard Screw
0039	Anti-Reverse Pawl Spring	0086	Spool Tension Spring	0109	Right Side Plate Screw (B)
0041	Yoke Plate	0087	Clutch Lever Screw	0111	Click Gear Retainer
0052	Ball Bearing	0088	Clutch Lever	0112	Ball Bearing
0054	Click Gear	0089	Clutch Cam	0113	Left Side Plate
0058	Spacer "B"	0090	Ball Bearing	0114	Left Side Plate Screw
0062	Click Pawl Retainer	0091	Bearing Thrust Washer	0115	Click Button
0063	Click Pawl	0092	Drag Spring Washer	0117	Line Guard
0065	Spacer A	0093	Key Washer "F"	0118	Spool
0067	Click Spring	0094	Drag Washer "D"	0130B	Handle Assembly
0068	Click Spring Screw	0095	Eared Washer "E"	0138	"O" Ring
0070	Spacer B	0096	Drag Washer "I"	0208	Yoke Spring
0076	Handle Nut	0097	Key Washer "C"	0234	Handle Nut Plate Screw
0078	Handle Washer	0098	Eared Washer "B"	0243	Frame
0079	Star Drag	0099	Drive Gear		